

INDUSTRIAL TECHNOLOGY GROUP



THE SCIENCE and TECHNOLOGY in:

VALVES

INDUSTRIAL TECHNOLOGY GROUP
C.so Telesio 91 – 10146 Torino - Cell 333 4521942
E-mail.: massimo.scl@libero.it
direzione@industrialtechnologygroup.com
www.industrialtechnologygroup.com



WAFER BALL VALVES

Description:

Flat body
Flanged
Full Bore
Ø 1/2" ÷ 8" - DN 15 ÷ 200

Body Material:

Carbon steel
Stainless Steel AISI 316
Stainless Steel AISI 304
Other materials on request

Ends :

Flanged

Rating :

PN 10÷40
PN 64÷100
ANSI 150÷300÷600

Seals materials:

PTFE
Grafyte
etc



FLOATING BALL VALVES – 2 PIECES BODY

Description:

Threaded
Ø 1/4" ÷ 2" - DN 06 ÷ 50

Body Material:

Carbon steel
Stainless Steel AISI 316
Other materials on request

Ends:

Threaded -
GAS - S.W. -
B.W. - ecc

Rating :

800 psi ÷ 3000 psi
PN 64÷210
6000 psi
PN 420

Seals materials:

PTFE
etc



2 WAYS BALL VALVES – 3 PIECES BODY

Description:

3 pieces body
Threaded with rods

Body Material:

Carbon steel
Stainless Steel AISI 316

Ends:

Thread GAS -
BW - SW - NPT
- ecc

Rating :

PN 40÷64

Seals materials:

PTFE R



SHUFF-OFF VALVES - 2 WAYS IN SPLIT BODY EXECUTION

Description:

2 pieces body
Split body
Flanged
Ø 1/2" ÷ 16" – DN 15 ÷ 400

Body Material:

Carbon steel
Stainless Steel AISI 316 / 304
Other materials on request

Ends :

Flangiati UNI -
ANSI - DIN

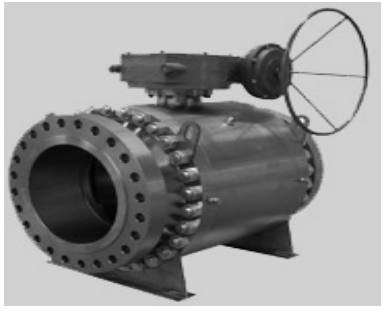
Rating:

PN 10÷160
ANSI 150÷2500

Seals materials:

PTFE
Grafito
ecc

TRUNNION BALL VALVES

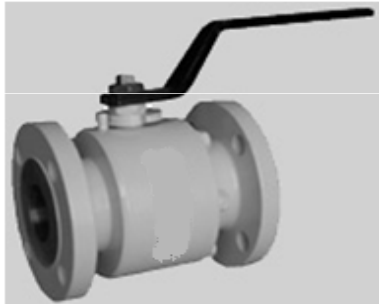


class	diameters	ends
150lbs	1/4" - 48" FB and RB	RF, RFS, RTJ, HUB, BW
300lbs	1/4" - 48" FB and RB	RF, RFS, RTJ, HUB, BW
600lbs	1/4" - 48" FB and RB	RF, RFS, RTJ, HUB, BW
900lbs	1/4" - 36" FB and RB	RF, RFS, RTJ, HUB, BW
1500lbs	1/4" - 36" FB and RB	RF, RFS, RTJ, HUB, BW
2500lbs	1/4" - 24" FB and RB	RF, RFS, RTJ, HUB, BW

All Trunion Valves are available also:

- Ends: Thread NPT, BSP (male and/or female)
- With our without integrated nipple - type BW, SW, PE.

FLOATING BALL VALVES



class	diameters	ends
150lbs	1/4" - 8" FB and RB	RF, RFS, RTJ, HUB, BW
300lbs	1/4" - 8" FB and RB	RF, RFS, RTJ, HUB, BW
600lbs	1/4" - 6" FB and RB	RF, RFS, RTJ, HUB, BW
900lbs	1/4" - 2" FB and RB	RF, RFS, RTJ, HUB, BW
1500lbs	1/4" - 2" FB and RB	RF, RFS, RTJ, HUB, BW
2500lbs	1/4" - 2" FB and RB	RF, RFS, RTJ, HUB, BW

Also available: ball valves class 800lbs, 1500lbs

Ends: Thread NPT, BSP (male and/or female)

- With our without integrated nipple - type BW, SW, PE.

NOTE: on demand, we supply executions for cryogenics

WAFER BUTTERFLY VALVES

Description:

Wafer body for flanges installations

Ends:

Wafer PN 10/16

Rating:

PN 16

Seals materials:

EPDM
VITON
PTFE
NBR



Body Material:

Cast iron GGG 25
Cast iron GG 40
Stainless steel AISI 316 / 304
Other materials on request

LUG BUTTERFLY VALVES

Description:

Lug body executions

Ends:

Wafer PN 10/16

Rating:

PN 16

Seals materials:

EPDM
VITON
PTFE
NBR



Body Material:

Cast iron GGG 25
Cast iron GG 40
Stainless steel AISI 316 / 304
Other materials on request



WAFER BUTTERFLY VALVES

Description:
Butterfly valve PTFE coated

Body Material:
Cast iron, disc in stainless steel PTFE coated

Ends:
Between flanges UNI
PN 10 o UNI PN 16
o ANSI 150

Rating:
PN 16

Seals materials:
PTFE



BUTTERFLY VALVES: WAFER / LUG

Description:
Butterfly Valve - high performance, execution in doble eccentric

Body Material:
Body in Carbon steel or stainless steel, butterfly in stainless steel, metal seat in AISI 316

Ends:
Between flanges
UNI PN 10, PN 16,
PN 25 o ANSI 150

Rating:
PN 16

Seals materials:
METAL METAL



CAST STEEL VALVES

Description:
Pressure Class ANSI 150 - 1500
Size Range 2" - 48"



UNI/DIN GATE, GLOBE & CHECK

Description:
Cast Iron
Carbon Steel
Stainless Steel



FORGED STEEL VALVES

Description:
Pressure Class ANSI 150 - 1500
Size Range 1/4" - 2"



CHECK TILTING & DUAL PLATE

Description:
Pressure Class ANSI 150 - 1500
Size Range 2" - 30"



BRONZE & ALUBRONZE

Description:
Gate
Globe
Swing, piston & Daul Plate
Strainers



DIAPHRAGM VALVES

Description:
EXCELLENT for aggressive fluids.
Totally coated in PTFE, PFA, FEP, EBONITE, CERAMICS.
Available with manual gear or motorized.
Materials: Cast iron, AISI 304/316, or in WCB.

CERTIFICATIONS:

- PED 97/23FG
- TA – Luft Approval
- AD – 200 / HP0 / TRD 201
- FIRESAFE acc. to API 607 / ISO 10497

- GOST
- KTA 1401
- TYPE APPROVAL
- DVGW APPROVAL